

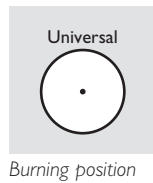
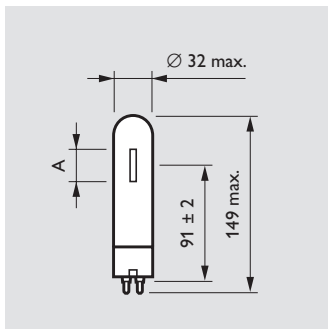


High-pressure sodium vapour lamps with a sintered aluminium oxide discharge tube enclosed in an evacuated clear (SDW-T) softglass outer bulb, equipped with a prefocussed lamp base. The increased sodium pressure causes exceptional brightness and colour rendering properties. The discharge tube contains an amalgam of sodium and mercury at a pressure of 95 kPa. Xenon is added to facilitate ignition, limit heat conduction and thus increase luminous efficacy and reduce blackening.

SDW-T lamps employ a ballast and a special Philips control unit, since they are particularly susceptible to colour shift caused by mains voltage fluctuations. White SON lamps have a universal burning position.

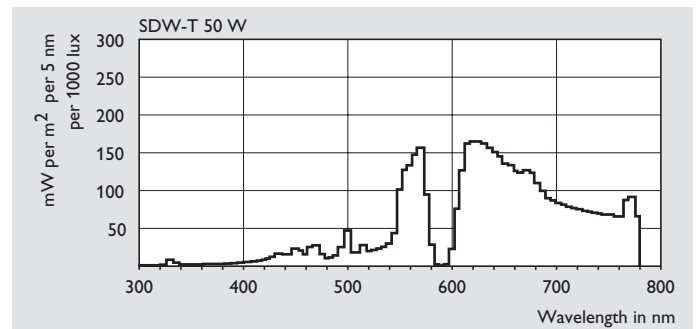
### Applications

- Shop lighting, general commercial downlighting and decorative outdoor lighting.

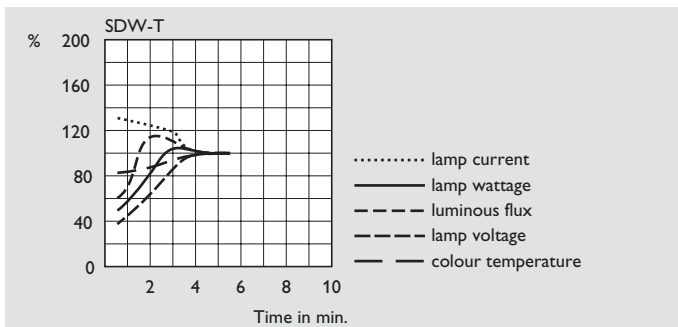


Dimensions in mm

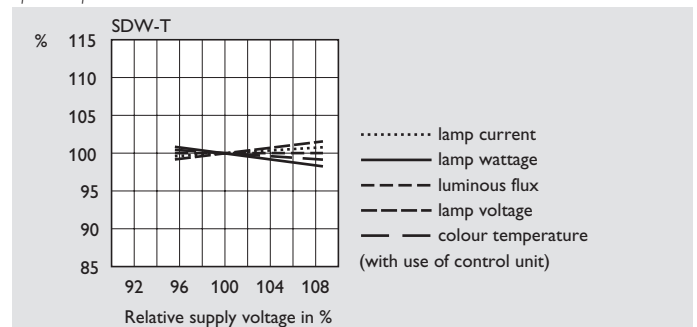
Type	A
Cap/base PG12-1	nom.
SDW-T 35W	14.0
SDW-T 50W	17.0
SDW-T 100W	20.0



Spectral power distribution



Lamp performance during run-up



Effects of mains voltage variations

Type	W	Cap/base	Lamp wattage	Lamp voltage	Correlated colour temp.	Lumen output	Colour rendering index	Lamp current	Maximum permissible base/pinch temp. degr.C	Maximum permissible bulb temp. degr.C	Chromaticity coordinate	Chromaticity coordinate	Nett weight	Ordering number
			W	V	K	lm		A			x	y	g	
SDW-T														
SDW-T 35W	35	PG12-1	33	96	2500	1300	83	0.48	210	350	479	417	49	9281 538 09200
SDW-T 50W	50	PG12-1	53	92	2500	2300	83	0.76	210	350	479	417	49	9281 539 09200
SDW-T 100W	100	PG12-1	97	98	2550	4800	83	1.31	210	380	472	412	49	9281 541 09200