

H.I.D. Lamps

Mercury HP



HPL(-N) (Comfort)



HPL-R

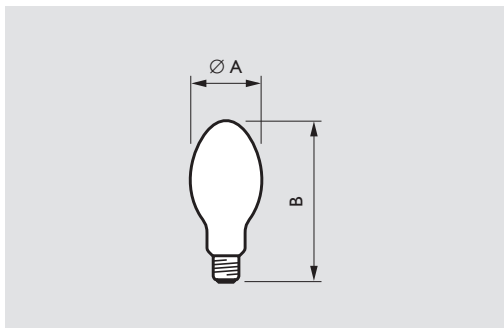
High-pressure mercury vapour lamps consist of a glass bulb, containing a gas for maintaining a constant temperature, and a quartz mercury vapour discharge tube. The lamps are equipped with a standard screw or bayonet base and one or two auxiliary electrodes to ensure quick and reliable ignition. Apart from a ballast, no special control gear is required.

The HPL-N has an internally coated ovoid outer bulb, providing a cool, bluish white light with reasonable colour qualities. The HPL Comfort has a special internal coating, providing a pleasant white light with increased

colour quality and luminous efficacy. The HPL-R has a cone-shaped hard-glass bulb with an internal reflector directing the light to where it is needed.

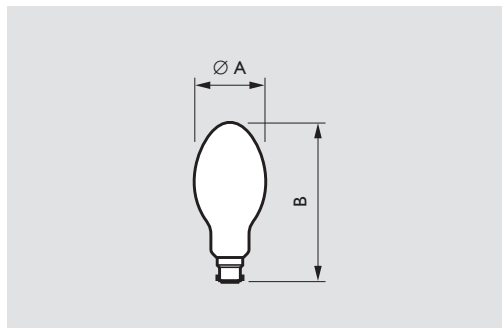
Applications

- HPL Comfort and HPL-N: pedestrian and residential areas, commercial and public buildings, factories, railway stations, schools, shops and petrol stations.
- HPL-R: high-bay in heavy industry e.g. iron foundries, paper mills, mines and quarries; also sign boards and decorative floodlighting.

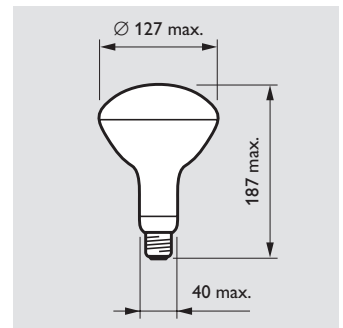


Dimensions in mm

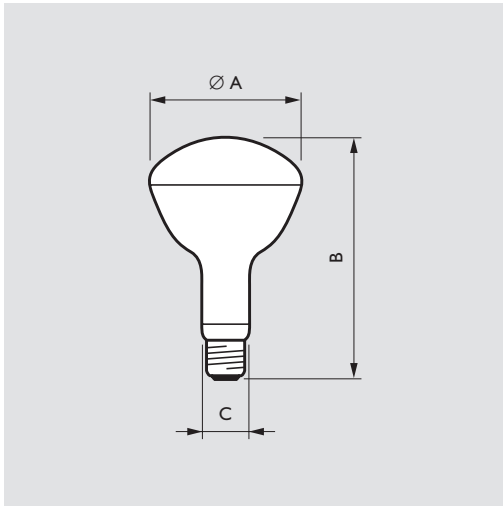
Type	A max.	B max.
Cap/base E27		
HPL Comfort 50W	56.00	130.00
HPL Comfort 80W	71.00	155.00
HPL Comfort 125W (HG)	76.00	173.00
HPL-N 50W	56.00	130.00
HPL-N 80W	71.00	155.00
HPL-N 125W HG	76.00	173.00



Type	A max.	B max.
Cap/base B22d-3		
HPL-N 80W	71.00	153.50
HPL-N 125W	76.00	171.50

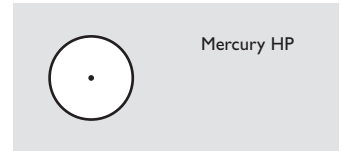
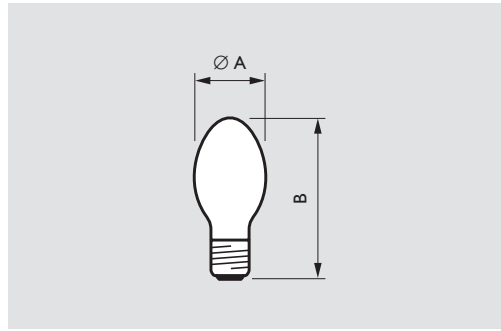


HPL-R 125W HG E27



Dimensions in mm

Type	A max.	B max.	C max.
Cap/base E40			
HPL-R 250W HG	162.50	259.00	50.00
HPL-R 400W HG	178.50	299.00	50.00
HPL-R 700W HG	202.00	327.00	54.00
HPL-R 1000W HG	219.00	382.00	56.00

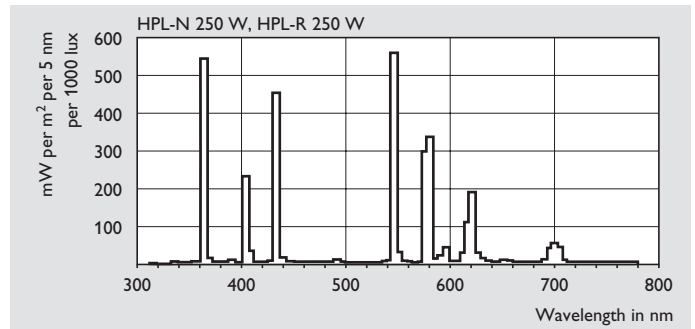
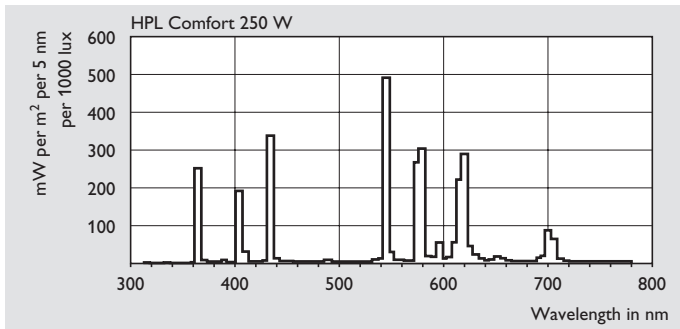


Burning position

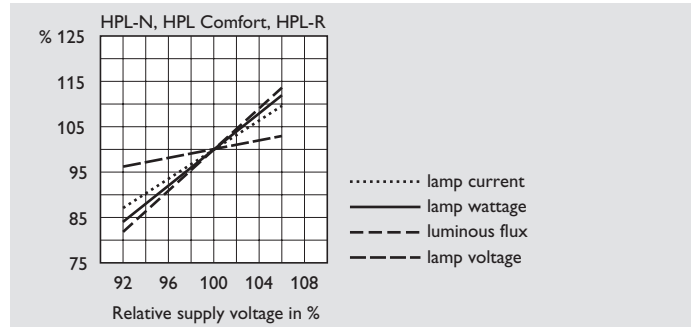
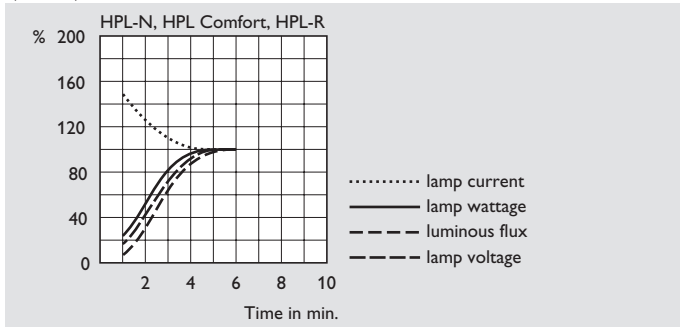
Type	A max.	B max.
Cap/base E40		
HPL Comfort 250W HG	91.00	228.00
HPL Comfort 400W HG	121.50	290.00
HPL-N 125W	76.00	184.00
HPL-N 250W HG	91.00	228.00
HPL-N 400W HG	121.50	290.00
HPL-N 700W HG	141.50	328.00
HPL-N 1000W HG	166.50	399.00

HG = Hard glass outer bulb

Type	W base	Cap/wattage	Lamp voltage	Lamp current	Lamp output temp.	Lumen colour x	Correlated coordinate y	Chromaticity coordinate index temp.	Chromaticity rendering base/pinch temp. degr.C	Colour permissible bulb degr.C	Maximum permissible g	Maximum weight	Nett number	Ordering
	W	V	A	Im	K									
HPL COMFORT														
HPL COMFORT	50W	E27	50	95	0.61	2000	3500	405	383	NA	200	350	46	9280 505 06600
HPL COMFORT	80W	E27	80	115	0.80	4000	3500	403	380	57	200	350	57	9280 510 06600
HPL COMFORT	125W	E27	125	125	1.15	6700	3400	408	385	55	200	350	76	9280 520 06600
HPL COMFORT	125W HG	E27	125	125	1.15	6700	3400	408	385	55	200	350	76	9280 520 06400
HPL COMFORT	250W HG	E40	250	135	2.13	14200	3300	419	392	51	250	350	185	9280 530 06700
HPL COMFORT	400W HG	E40	400	140	3.25	24200	3500	413	392	47	250	350	260	9280 535 06700
HPL-N														
HPL-N	50W	E27	50	95	0.61	1800	4200	371	370	49	200	350	46	9280 505 07300
HPL-N	80W	B22D-3	80	115	0.80	3700	4300	370	366	48	200	350	62	9280 512 07300
HPL-N	80W	E27	80	115	0.80	3700	4300	370	366	48	200	350	57	9280 510 07300
HPL-N	125W	B22D-3	125	125	1.15	6200	4100	374	373	46	200	350	76	9280 522 07300
HPL-N	125W	E27	125	125	1.15	6200	4100	374	373	46	200	350	76	9280 520 07300
HPL-N	125W	E40	125	125	1.15	6200	4100	374	373	46	200	350	110	9280 523 07300
HPL-N	125W HG	E27	125	125	1.15	6200	4100	374	373	46	200	350	90	9280 520 07400
HPL-N	250W HG	E40	250	135	2.10	12700	4100	381	383	40	250	350	184	9280 530 07400
HPL-N	400W HG	E40	400	140	3.25	22000	3900	384	384	40	250	350	26	9280 535 07400
HPL-N	700W HG	E40	700	145	5.40	38500	3900	390	390		250	350	344	9280 541 07400
HPL-N	1000W HG	E40	1000	145	7.50	58500	3900	390	395	33	250	350	520	9280 545 07400
HPL-R														
HPL-R	125W HG	E27	125	125	1.15	5700	4200	371	387	43	200	350	147	9280 620 08600
HPL-R	250W HG	E40	250	135	2.10	12000	4100	381	394	37	250	350	323	9280 625 08600
HPL-R	400W HG	E40	400	140	3.20	20500	3900	382	402	36	250	350	360	9280 630 08600
HPL-R	700W HG	E40	700	145	5.40	36000	3900	390	405		250	350	423	9280 636 08600
HPL-R	1000W HG	E40	1000	145	7.50	54000	3900	395	410	31	250	350	589	9280 640 08600

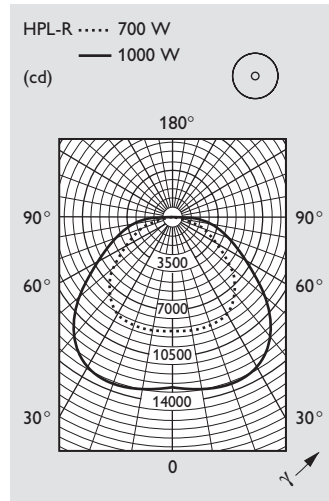
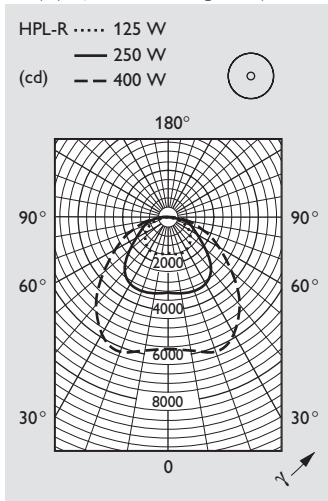


Spectral power distributions



Lamp performance during run-up

Effects of mains voltage variations



Polar light distributions