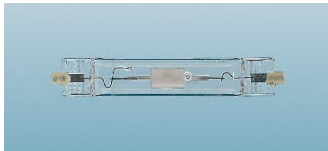
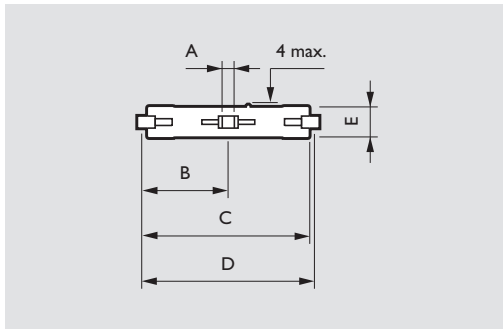


70W

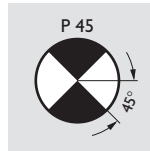


150W



Dimensions in mm

Type	A nom.	B nom.	C max.	D max.	E max.
Cap/base RX7S					
CDM-TD 70W	8.0	57.1	114.2	117.6	21.0
CDM-TD 150W	10.0	66.0	132.0	135.4	24.0



Burning position

CDM-TD/830-/942 are compact discharge lamps with a stable colour over lifetime, a sparkling light, a warm (3000K) or fresh white (4200K) colour impression and an excellent colour rendering. CRI >80 (3000K) or >90 (4200K). High beam intensities can be created thanks to the small discharge arc and the compact dimensions of the lamp. Low operating costs result from the high lamp efficacy, combined with a long lamp life compared to incandescent and halogen lamps. The lamps feature a UV-block quartz outer bulb and personal comfort is increased thanks to the low heat output.

CDM-TD lamps have to be used in combination with a ballast and an ignitor. A high current

protection device is mandatory (IEC 1167). For constant voltage deviations of more than 3 % of the rated voltage, another ballast rating/tap must be used. Electronic gear, like the Philips EMC, can also be used, especially to eliminate visible flicker. The lamps must be used in closed luminaires and a hard glass cover is needed. Burning position: horizontal +/- 45 degrees.

Note
ALL LAMPS IN UV-BLOCK FOR REDUCED HEALTH/FADING RISK.

Applications

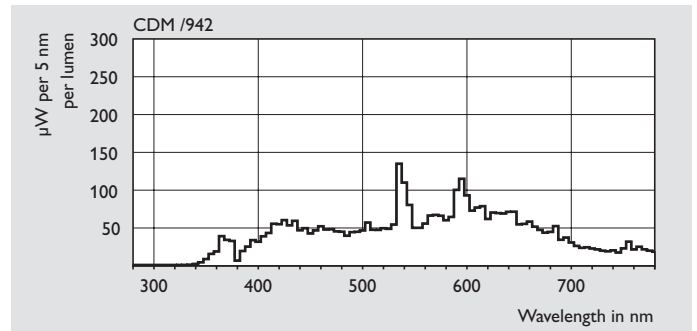
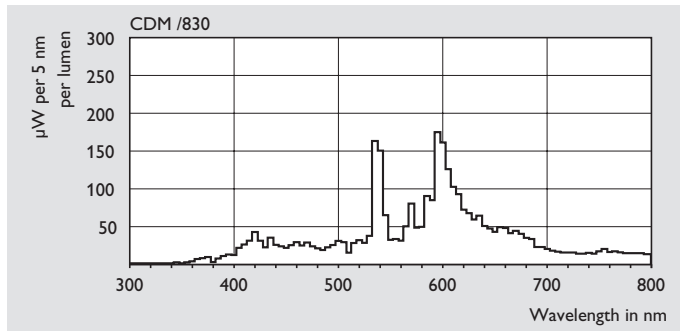
- Shops and shop windows.
- Offices and public buildings.
- Floodlighting of facades, statues and monuments.

Type	Cap/ base	Colour rendering index	Lumen output	Lamp wattage	Lamp voltage	Lamp current	Maximum lamp current	Minimum ignition supply voltage	Efficacy lamp	Efficacy system FeCu	Efficacy system Electronic LF
		Ra8	lm	W	V	A	A	V	lm/W	lm/W	lm/W
CDM-TD											
CDM-TD 70W/830	RX7S	82	6100	71	92	1.0	1.4	198	86	73	74
CDM-TD 70W/942	RX7S	92	5400	72	90	1.0	1.4	198	78	64	65
CDM-TD 150W/830	RX7S-24	85	12500	147	96	1.8	2.5	198	85	73	75
CDM-TD 150W/942	RX7S-24	96	12500	147	96	1.8	2.5	198	85	73	75

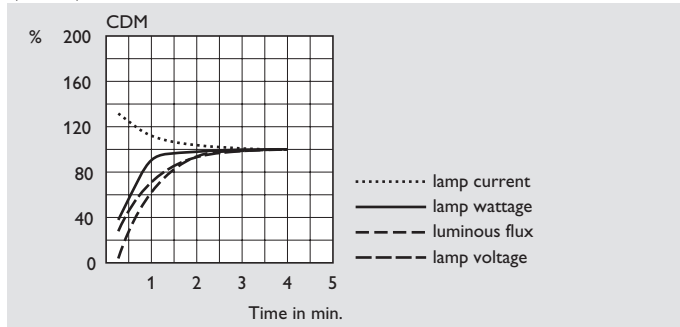
Type	Correlated colour temperature Tc K	Chromaticity coordinate x	Chromaticity coordinate y	Maximum permissible base/pinch temperature °C	Maximum permissible bulb temperature °C	Nett weight g	Ilcos code	Ordering number
CDM-TD								
CDM-TD 70W/830	3000	435	400	280	600	21	MD-70/30/1B-H-Rx7s	9280 822 05100
CDM-TD 70W/942	4200	372	367	280	600	21	MD-70/42/1A-H-Rx7s	9280 847 05100
CDM-TD 150W/830	3000	435	400	300	650	30	MD-150/30/1B-H-Rx7s	9280 836 05100
CDM-TD 150W/942	4200	372	367	300	650	30	MD-150/42/1A-H-Rx7s	9280 848 05100

H.I.D. lamps

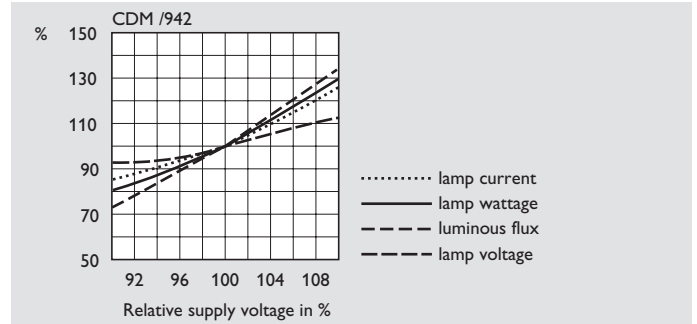
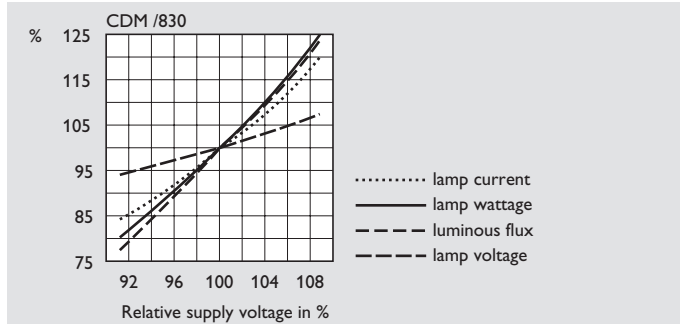
Mastercolour CDM-TD



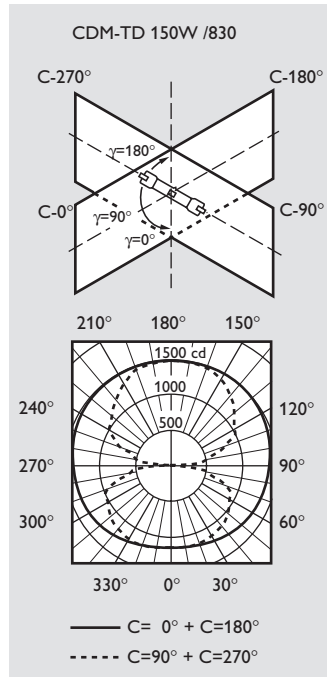
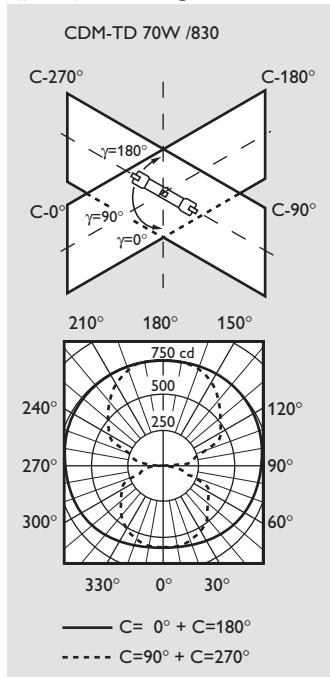
Spectral power distributions



Lamp performance during run-up



Effects of mains voltage variations



Polar light distributions Note: For the /942 lamps, a similar light distribution applies.

Tc	3000K /830				4200K /942		
Type	CDM-TC	CDM-T	CDM-TD	CDM-R PAR20	CDM-R PAR30L	CDM-T	CDM-TD
35W							
70W							
150W							

Mastercolour CDM range

