



35W PAR 20L 10 degrees



35W PAR 20L 30 degrees



35W PAR 30L 10 degrees



35W PAR 30L 30 degrees



70W PAR 30L 10 degrees



70W PAR 30L 40 degrees

The CDM-R comprises a range of reflector metal halide lamps with a warm colour impression (3000K) and excellent colour rendering.

High beam intensities can be created thanks to the small axial discharge arc, optimally positioned in the internal reflector.

Low operating costs result from the high lamp efficacy, combined with long lamp life compared to incandescent and halogen lamps.

The CDM-R's unique "effect/lamp volume" ratio increases flexibility in application and allows powerful lighting accents from inconspicuous luminaires.

Ease of luminaire design is provided since the CDM-R lamps can be used in open luminaires.

In indoor applications comfort is enhanced because of the relatively low heat output of the lamps. The lamps contain a UV-Block burner capsule.

CDM-R lamps have to be used in combination with a ballast and an ignitor or a suitable fully electronic ballast, like the Philips EMC070 for CDM-R 70 W.

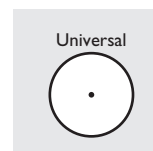
For a satisfactory operation of the lamp on conventional gear, the mains supply should not fluctuate more than 5% from the rated voltage of the ballast. If there is a constant deviation of more than 3% of the rated voltage, another ballast rating is recommended. Burning position: universal.

Note

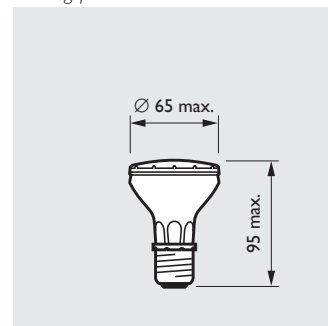
CDM-R is equipped with an E27 lamp base, E27 lampholders used must be suitable for ignition peaks up to 5 kV.

Applications

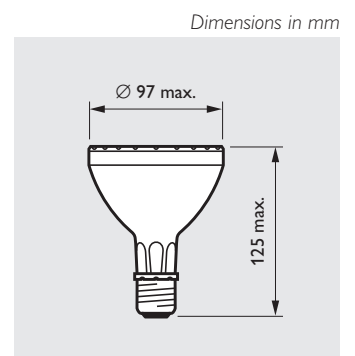
- Accent/decorative lighting: sparkling, theatrical effects in display lighting, even in surroundings with a high luminance level like shop windows.
- General lighting: in downlighters, a warm, comfortable atmosphere can be created.



Burning position



PAR 20

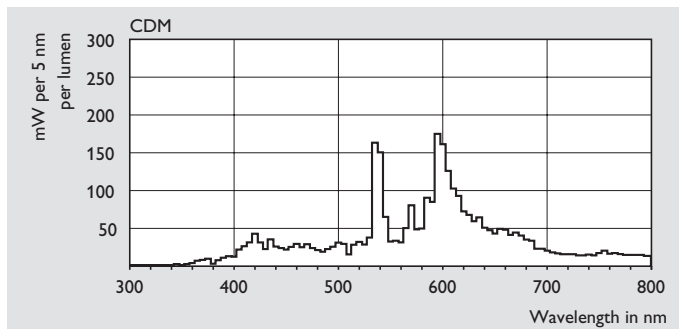


PAR 30

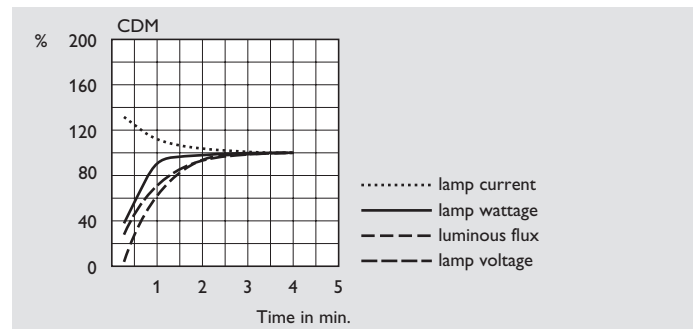
Dimensions in mm

Type	Cap/ base	Lamp wattage W	Lamp voltage V	Correlated colour temperature K	Lumen output lm	Colour rendering index	Max luminous intensity cd	Lamp current A
CDM-R								
CDM-R 35W /830 PAR20L10DG	E27	38	88	3000	2000	81	23000	0.5
CDM-R 35W /830 PAR20L30DG	E27	38	88	3000	2000	81	5000	0.5
CDM-R 35W/830 PAR30L10DG	E27	38	88	3000	2200	81	37000	0.5
CDM-R 35W/830 PAR30L30DG	E27	38	88	3000	2200	81	7000	0.5
CDM-R 70W/830 PAR30L10DG	E27	73	90	3000	4850	83	55000	1.0
CDM-R 70W/830 PAR30L40DG	E27	73	90	3000	4850	83	7500	1.0

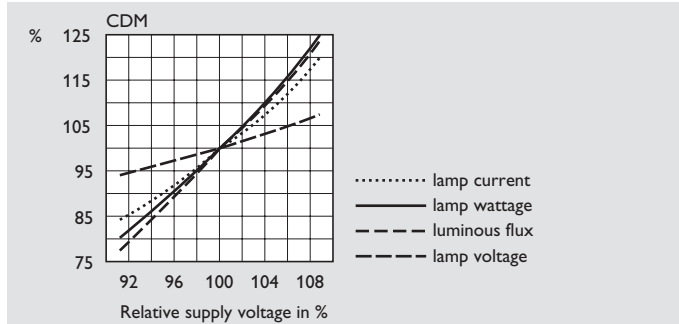
Type	Maximum permissible base/pinch temperature °C	Maximum permissible bulb temperature °C	Chromaticity coordinate x	Chromaticity coordinate y	Minimum ignition supply voltage V	Nett weight g	Ilcos code	Ordering number
CDM-R								
CDM-R 35W /830 PAR20L10DG	200	300	435	400	198	120	MR-35/20/1B-H-E27	9280 841 00600
CDM-R 35W /830 PAR20L30DG	200	300	435	400	198	120	MR-35/20/1B-H-E27	9280 840 00600
CDM-R 35W/830 PAR30L10DG	200	300	435	400	198	225	MR-35/30/1B-H-E27	9280 709 00600
CDM-R 35W/830 PAR30L30DG	200	300	435	400	198	225	MR-35/30/1B-H-E27	9280 710 00600
CDM-R 70W/830 PAR30L10DG	200	300	435	400	198	225	MR-70/30/1B-H-E27	9280 711 00600
CDM-R 70W/830 PAR30L40DG	200	300	435	400	198	225	MR-70/30/1B-H-E27	9280 712 00600



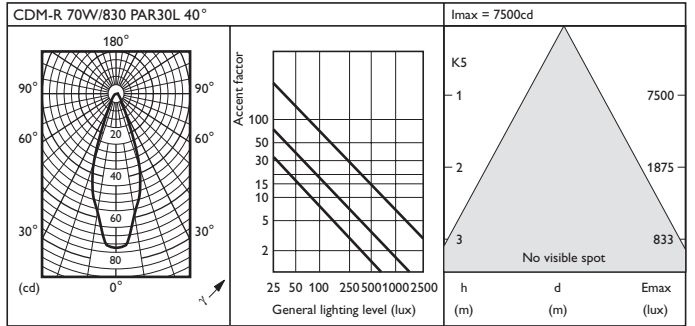
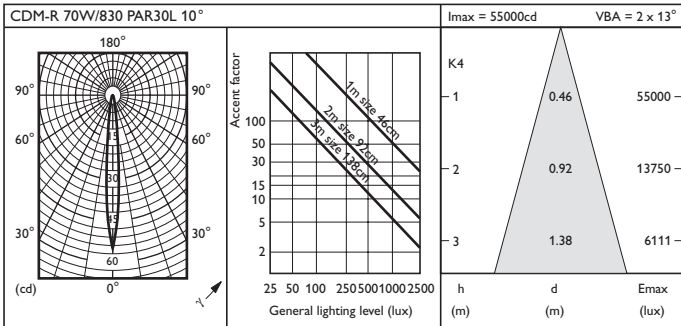
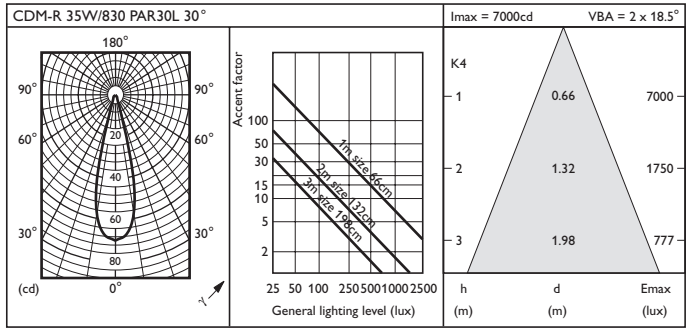
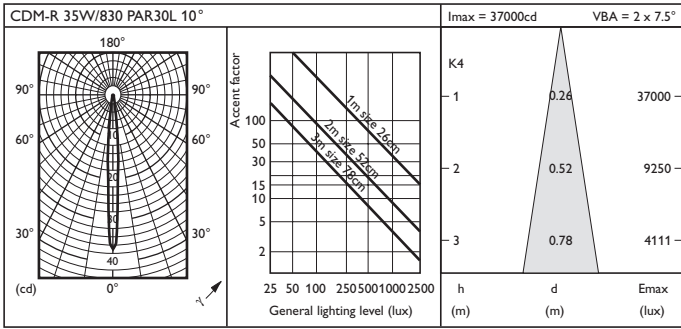
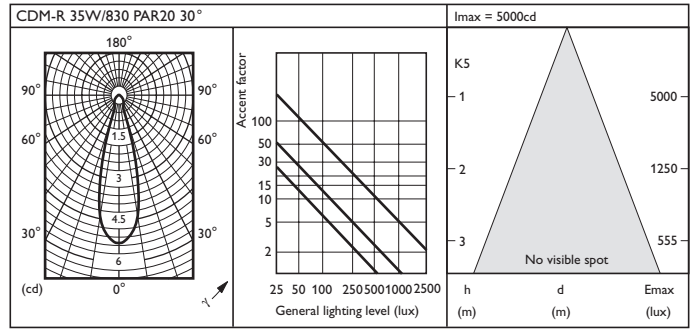
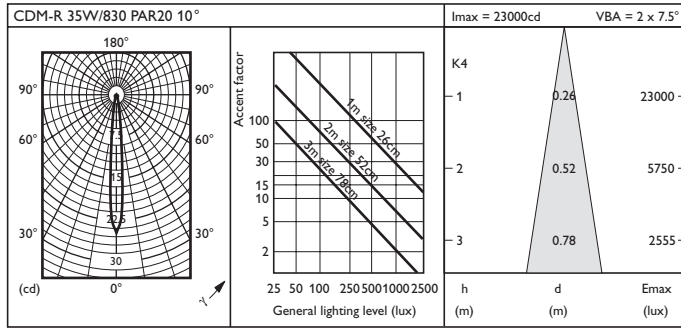
Spectral power distribution



Lamp performance during run-up



Effects of mains voltage variations



Lighting performance data

Tc	3000K /830				4200K /942		
Type	CDM-TC	CDM-T	CDM-TD	CDM-R PAR20	CDM-R PAR30L	CDM-T	CDM-TD
35W							
70W							
150W							

Mastercolour CDM range

